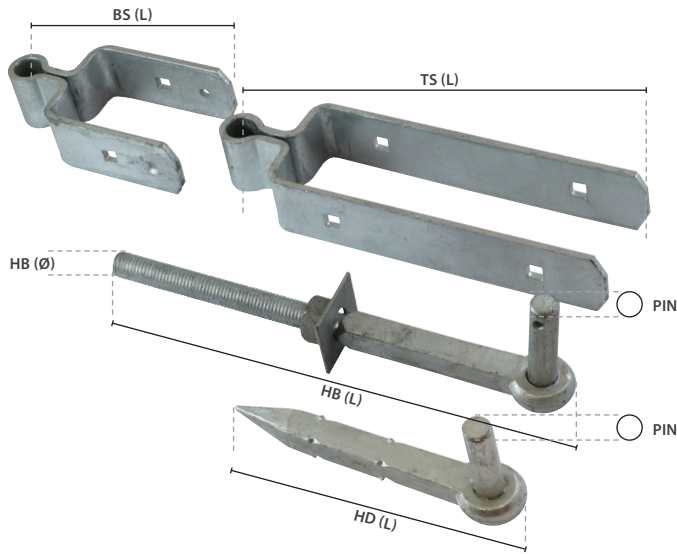


Standard Double Strap Hinge Set



Ideal for use on field gates and driveway gates that are to be hung on timber posts. The hinge set provides exceptional support to the gate as the top band and bottom strap wrap around the gate and are fixed with cup square bolts to firmly secure in place.

The hook to bolt features a 9mm drilled hole for R clips or linch pins (not included) to be fitted to prevent the gate being lifted off. The hooks to drive are barbed to prevent the gate from working loose. Depending on the weight distribution of the gate, the top or bottom pin can be mounted upside down to prevent unwanted removal of the gate.

CONTENTS:

1 x Top Strap, 1 x Bottom Strap, 1 x Hook to Drive, 1 x Hook to Bolt, 3 or 4 x M10x95mm Galvanised Cup Square Bolts, M10 Hex Nuts and Washers, 2 x 6.0x40mm TIMco Exterior Woodscrews.



Top Strap L (mm)	Top Strap L (inch)	Bottom Strap L (mm)	Bottom Strap L (inch)	Strap T (mm)	Hook To Bolt Ø x L (mm)	Hook to Drive L (mm)	Pin Ø (mm)	Pin Ø (inch)	To Suit Gate W (ft)	To Suit Gate W (mm)	To Suit Gate T (mm)	To Suit Gate T (inch)	No. of Carriage Bolts	Carriage Bolt Ø (mm)	Product Code	Pack Qty (pcs)	Carton Qty (packs)
(TS)	(TS)	(BS)	(BS)		(HB)	(HD)	(PIN)	(PIN)	FIELD GATE INFO.				FIXINGS INFO.		PLAIN BAG TIMCO FIXINGS INCLUDED		

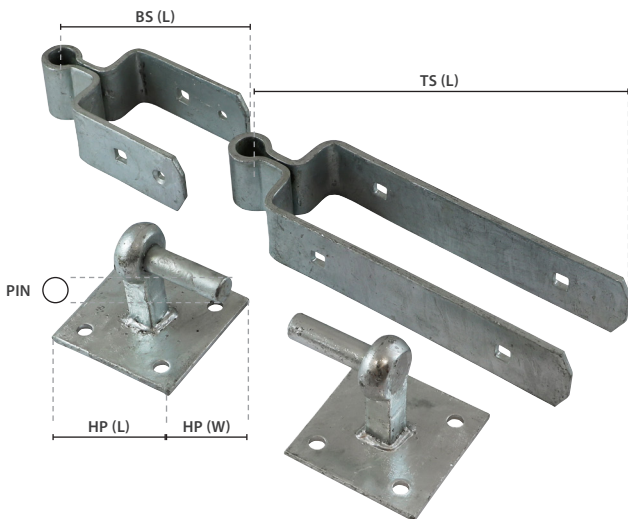
Hot Dipped Galvanised																	
300	12	150	6	6	M20 x 350	215	19	3/4	3-4	900-1200	75	3	3	M10	SFH300G	1	4
450	18	150	6	6	M20 x 350	215	19	3/4	4-9	1200-2700	75	3	4	M10	SFH450G	1	4
600	24	150	6	6	M20 x 350	215	19	3/4	9-12	2700-3600	75	3	4	M10	SFH600G	1	4

TYPE - FGS

L = LENGTH, W = WIDTH, T = THICKNESS, Ø = DIAMETER

SUB TYPE - FGS01

Double Strap Hinge Set with Hook on Plate



Ideal for use on field gates and driveway gates that are to be hung on timber, concrete or masonry posts. The hinge set provides exceptional support to the gate as the top band and bottom strap wrap around the gate and are fixed with cup square bolts to firmly secure in place. Depending on the weight distribution of the gate, the top or bottom pin can be mounted upside down to prevent unwanted removal of the gate.

CONTENTS:

1 x Top Strap, 1 x Bottom Strap, 2 x Hook on Plates, 3 or 4 x M10x95mm Galvanised Cup Square Bolts, Hex Nuts and Washers, 8 x M10x65mm Galvanised Coach Screws, 2 x 6.0x40mm TIMco Exterior Woodscrews.



Top Strap L (mm)	Top Strap L (inch)	Bottom Strap L (mm)	Bottom Strap L (inch)	Strap T (mm)	Hook on Plate L x W (mm)	Pin Ø (mm)	Pin Ø (inch)	To Suit Gate W (ft)	To Suit Gate W (mm)	To Suit Gate T (mm)	To Suit Gate T (inch)	No. of Coach Screws	Coach Screw Ø (mm)	No. of Carriage Bolts	Carriage Bolt Ø (mm)	Product Code	Pack Qty (pcs)	Carton Qty (packs)
(TS)	(TS)	(BS)	(BS)		(HP)	(PIN)	(PIN)	FIELD GATE INFO.				FIXINGS INFO.		PLAIN BAG TIMCO FIXINGS INCLUDED				

Hot Dipped Galvanised																		
300	12	150	6	6	100 x 100	19	3/4	3-4	900-1200	75	3	8	M10	3	M10	DSFH300G	1	4
450	18	150	6	6	100 x 100	19	3/4	4-9	1200-2700	75	3	8	M10	4	M10	DSFH450G	1	4
600	24	150	6	6	100 x 100	19	3/4	9-12	2700-3600	75	3	8	M10	4	M10	DSFH600G	1	4

TYPE - FGS

L = LENGTH, W = WIDTH, T = THICKNESS, Ø = DIAMETER

SUB TYPE - FGS01